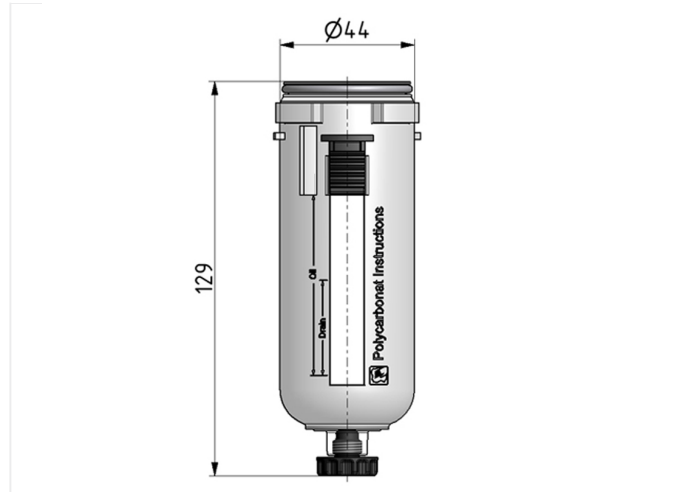


## Accessories of the Futura series

PC bowl with bowl guard, semi automatic drain and o-ring 37,5x2,5



type	part-number	series 1	series	weight
BE.2 HA4	90002.0200	Futura	BG2	0.128 kg

### technical data

- supply pressure P1 min.: 1,5 bar
- supply pressure P1 max.: 16 bar
- temperature range: 0 - 50°C
- bowl: PC with PA bowl guard
- drain: HA
- fixing: bayonet catch

### accessories